

pH/ORP flow-through probe

Models 8340/8340.P



data sheet

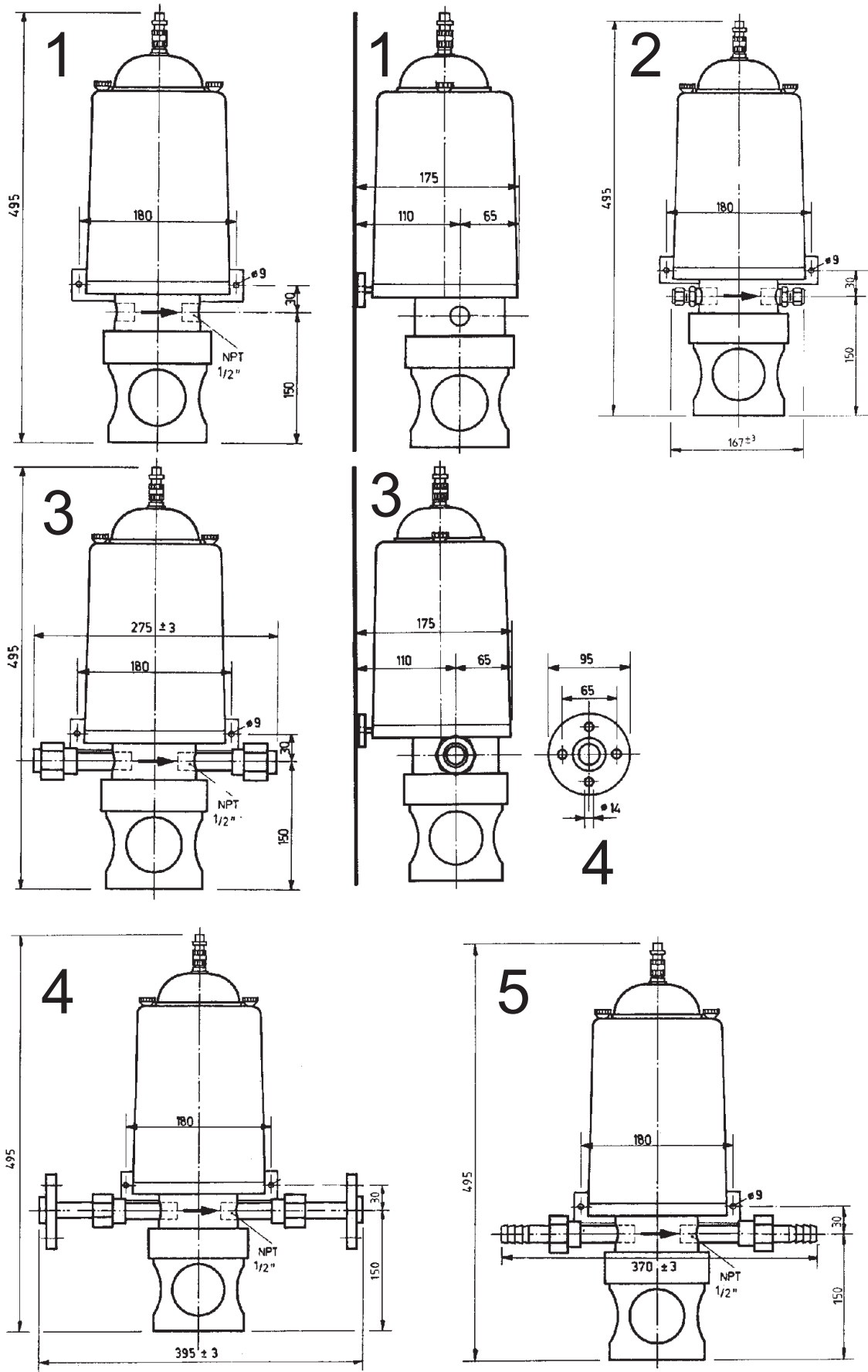
Features

- Industrial, heavy-duty probe for use in difficult applications
- The probe may be equipped with various combinations of electrodes (i.e.: glass electrodes, reference electrodes, temperature sensors, combination electrodes, ORP electrodes, and liquid earth rods)
- The electrolyte reservoir is integrated with the probe
- The probe's reservoir may be pressurized with instrument air or with a simple hand pump (retrofit is possible)
- A chemical or mechanical electrode cleaning system can be retrofitted
- The electrodes are visible at all times, simple to remove, exchange and calibrate
- The probe's sample cup remains filled with sample solution at all times thus ensuring wetted, active electrodes throughout the operation.

Product list

Item	Model	Item No.	Drawing No.
<p>Probe</p> <p>Standard flow-through probe with preamplifier Flow-through probe, including high-impedance</p>	<p>8340.P 8340</p>	<p>363 383,10010 363 383,10000</p>	<p>1 1</p>
<p>Standard accessories</p> <ul style="list-style-type: none"> • 1 Instruction Manual in German, French or English (please specify) • Reference electrolyte KCl, 500 ml bottle • Quick connection for pressurization 			
<p>Accessories</p> <p>Cable, shielded, 6 conductors, to connect 8340.P with transmitter 8930 or 9135</p> <p>Cable, shielded, coaxial, with 4 additional conductors</p> <p>Buffer solution pH 4.00, 500 ml</p> <p>Buffer solution pH 6.88, 500 ml</p> <p>Buffer solution pH 9.22, 500 ml</p> <p>Reference electrolyte KCl, 1000 ml</p> <p>Connections</p> <p>Swagelok pipe fitting for 10-mm Ø pipe</p> <p>Polypropylene pipe fitting ND 15/PN 10 according to DIN/VSM</p> <p>Flanges ND 15/PN 10 according to DIN/VSM adjustable flanges</p> <p>Hose nipple ND 15</p> <p>Note: Positions 5 and 6 require the fittings listed in Position 4</p> <p>With Hamp Pump:</p> <p>Pressure gauge and adaptor (for manual pressurisation)</p> <p>Cover for hood, consisting of:</p> <ul style="list-style-type: none"> • 2 angle brackets • 3 m of electrolyte tubing • Cover 	<p>2666</p> <p>2654</p> <p>–</p> <p>–</p> <p>–</p> <p>–</p> <p>8538.1</p> <p>–</p>	<p>370=506=025</p> <p>358 048,00000</p> <p>363 130,00500</p> <p>363 131,00500</p> <p>363 132,00500</p> <p>363 140,01000</p> <p>359 028,40000</p> <p>359 028,30000</p> <p>359 028,20001</p> <p>359 028,10000</p> <p>359 026,10000</p> <p>359 025,10000</p>	<p></p> <p></p> <p>2</p> <p>3</p> <p>4</p> <p>5</p> <p>7</p> <p>8</p>
<p>Electrode-Cleaning Systems (for retrofitting)</p> <p>Mechanical Cleaning (See also datasheet 8544)</p> <p>Cleaning unit, including 2 polypropylene brushes</p> <p>Cleaning unit, including silicom membranes</p> <p>Air, water or chemical cleaning (See also datasheet 8544)</p> <p>PVDF nozzle</p>	<p>8540.4</p> <p>8540.5</p> <p>8543.5</p>	<p>363 356,00100</p> <p>363 356,00200</p> <p>363 381,50000</p>	<p>9</p> <p>10</p> <p>11</p>
<p>Electrodes</p> <p>Note: Capacity for 4 pieces maximum, including cleaning systems.</p>			
<p>Spares</p> <p>Set of seals, consisting of:</p> <p>2 washers / 4 O-rings / 2 blank plugs</p> <p>Diaphragm assembly for 8429.1 consisting of:</p> <p>3 diaphragms / 3 hex nuts / 6 seals</p> <p>Cleaning brush for 8540.4 (mechanical cleaning)</p> <p>Membrane for 8540.5 (mechanical cleaning)</p>	<p>–</p> <p>–</p> <p>–</p> <p>–</p>	<p>363 700,83402</p> <p>363 700,74106</p> <p>359 004,50080</p> <p>359 004,10450</p>	

Dimensions in mm



Polymetron SA International Headquarters

33, rue du Ballon
93165 Noisy-le-Grand cedex
France
Tel : (33) 1 48 15 80 80
Fax : (33) 1 48 15 80 00
info@polymetron.com

Belgium

Lange Group
Ragheno Business Center 2
Motstraat 54
B-2800 Mechelen
Tel. : (32) 15 42 35 00
Fax : (32) 15 41 61 20

Germany

Dr Bruno Lange GmbH
& Co. KG
Prozess-Meßgeräte /
Polymetron
Willstätterstrasse 11
D-40549 Düsseldorf
Tel. : +49 211-5288 156
Fax : +49 211 5288 171

India

Forbes
A 34/35, MIDC Estate
"H" Block
Pimpri, Pune 411 018
Tel. : (91) 212-770-171
Fax : (91) 212-777-049

Italy

Dr Bruno Lange srl
Via Riccione, 14
20156 Milano MI
Tel. : (39) 02 39 23 14 1
Fax : (39) 02 39 23 14 39

Netherlands

Lange Group
Laan van Westroijen 2a
NL-4003 AZ Tiel
Tel. : (31) 344 63 11 30
Fax : (31) 344 63 11 50

Spain

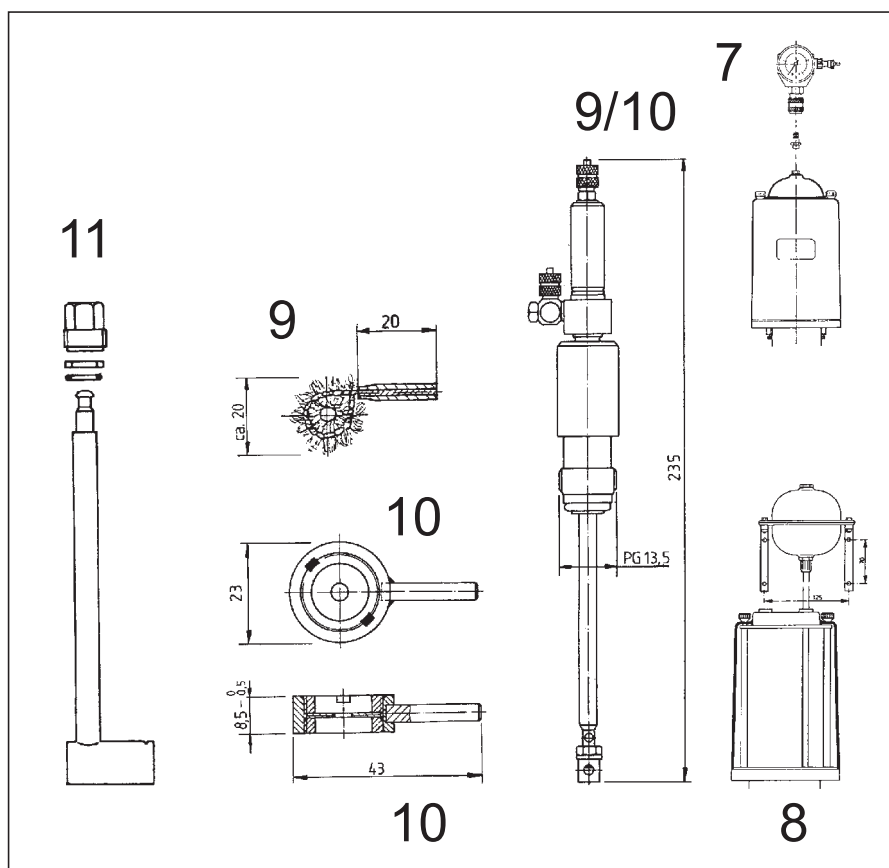
Neurtek M.A.
Lange Group
C/ Araba 45
Apdo, 220
Zarautz 20800
Tel. : (34) 943 89 43 79
Fax : (34) 943 130 241

United Kingdom

Dr Lange (UK) Ltd
Lennox Rd
Basingstoke, Hampshire
RG22 4AP
Tel. : (44) 1 256 33 3403
Fax : (44) 1 256 633 0724

USA

Astro / Polymetron
Associated with Hach Co.
P.O. Box 389
Loveland, Colorado
USA 80539-0389
Tel. : (1) 800 227 2648
Fax : (1) 970 461 3920



www.polymetron.com

Specifications

- Sample temperature: -10 to $+80^{\circ}\text{C}$ (14 to 176°F)
- Ambient temperature: -10 to $+55^{\circ}\text{C}$ (14 to 131°F)
- Sample pressure: 2 bar (29 psi) max. within -10 to $+80^{\circ}\text{C}$
- Flow rate: 15 l/min. max.
- Pressure drop: 0.045 bar
- Volume of the sample cup: 0.5 l
- Volume of the reference-electrolyte reservoir: 0.5 l
- Permissible pressure for electrolyte reservoir: 5 bar max. (72 psi)
- Protective hood: IP 54
- Weight: Approx. 2.5 kg (5.5 lbs)

Materials :

- Probe body: Polypropylene
 - Sample cup: Borosilicate glass
 - Sample-cup gasket: Silicon
 - Electrode seals: Viton®
 - Pipe gaskets: Neoprene
 - Protective hood: PMMA (Polymethylmetacrylate), blue
 - Electrolyte resevoir: Polyamide (Special PA)
 - Electrolyte tubing: Polyurethane
 - Electrolyte-tubing nipples: Polyacetal.
- Viton® is a registered trademark of E. I. Dupont de Nemours and Co.

This publication is not intended to form the basis of a contract and the company reserves the right to amend the design and specifications of the instruments without notice.

Distributor

TE 8340=A=100 - Rev. D - FR. 50622048726

