

pH / ORP immersion probe Model 8346



data sheet

Features

- Heavy-duty industrial probe for use in difficult applications
- Continuous cleaning (abrading) keeps the electrode constantly active
- The probe may be equipped with gold or platinum electrodes to monitor the ORP, or with an antimony electrode to measure the solution pH
- The electrolyte reservoir is integrated with the probe
- The probe's reservoir may be pressurized with instrument air or with a simple hand pump (retrofit is possible)
- The probe is available for different immersion depths

Product list

Immersion Probe 8346. - E with Electromotor

Immersion Depth	Model	Item No.	Drawing No.
500 mm	8346.1E	363 389,00500	1
1000 mm	8346.2E	368 389,01000	1
1500 mm	8346.3E	363 389,15000	1

Pressurizing the Electrolyte Reservoir

Item	Model	Item No.	Drawing No.
With Instrument Air:			
Quick-connect plug	-	599 990,05704	2
Quick-connect jack	-	599 990,05604	2
With Hand Pump:			
Quick-connect plug	-	599 990,05704	3
Pressure adaptor with gauge	8538.1	359 026,10000	3

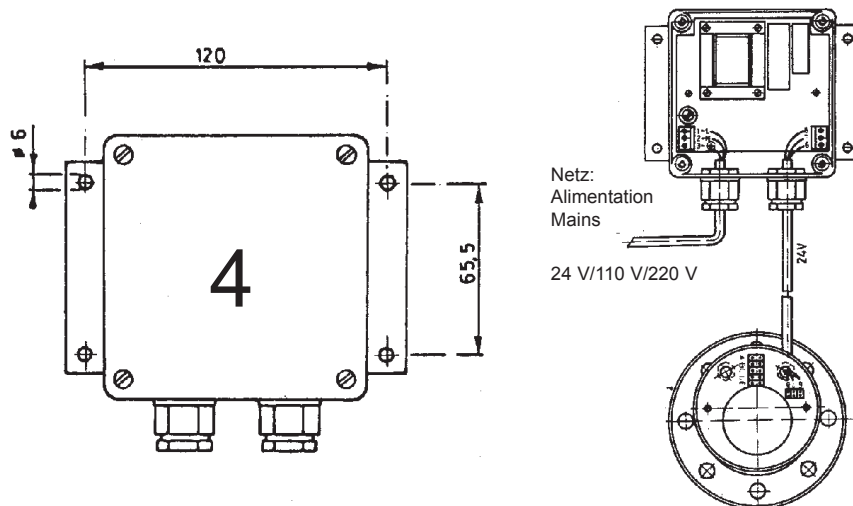
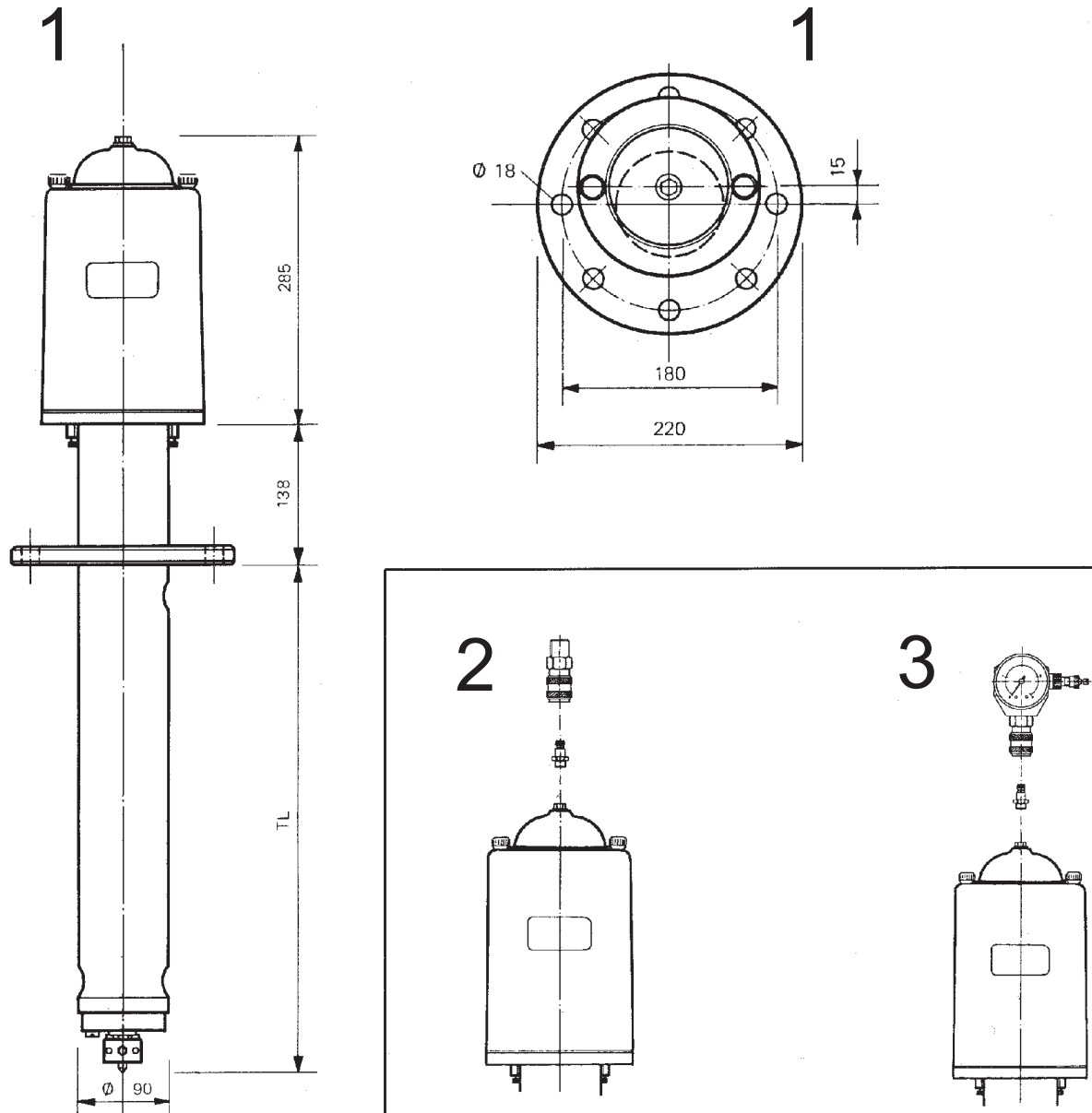
Electrodes

Item	Model	Item No.	
Gold ring electrode Temperature range: -10 to + 50°C (14–122°F)	8436	363 629,84361	
Platinum ring electrode Temperature range: -10 to + 50°C (14–122°F)	8435	363 629,84351	
Antimony ring electrode Temperature range: -10 to + 120°C (14–248°F)	8438	363 629,84380	
Reference electrode	8429-B	368 429,00000	

Temperature Sensor

Immersion Depth	Model	Item No.	
Pt100 for 8346			
500 mm	8346.1T	363 389,20500	
1000 mm	8346.2T	363 389,21000	
1500 mm	8346.3T	363 389,21500	

Dimensions



Polymetron SA International Headquarters

33, rue du Ballon
93165 Noisy-le-Grand cedex
France
Tel : (33) 1 48 15 80 80
Fax : (33) 1 48 15 80 00
info@polymetron.com

Belgium

Lange Group
Ragheno Business Center 2
Motstraat 54
B-2800 Mechelen
Tel. : (32) 15 42 35 00
Fax : (32) 15 41 61 20

Netherlands

Lange Group
Laan van Westroijen 2a
NL-4003 AZ Tiel
Tel. : (31) 344 63 11 30
Fax : (31) 344 63 11 50

Spain

Neurtek M.A.
Lange Group
C/ Araba 45
Apdo, 220
Zarautz 20800
Tel. : (34) 943 89 43 79
Fax : (34) 943 130 241

Germany

Dr Bruno Lange GmbH
& Co. KG
Prozess-Meßgeräte /
Polymetron
Willstätterstrasse 11
D-40549 Düsseldorf
Tel. : +49 211-5288 156
Fax : +49 211 5288 171

United Kingdom

Dr Lange (UK) Ltd
Lennox Rd
Basingstoke, Hampshire
RG22 4AP
Tel. : (44) 1 256 33 3403
Fax : (44) 1 256 633 0724

India

Forbes
A 34/35, MIDC Estate
"H" Block
Pimpri, Pune 411 018
Tel. : (91) 212-770-171
Fax : (91) 212-777-049

Italy

Dr Bruno Lange srl
Via Riccione, 14
20156 Milano MI
Tel. : (39) 02 39 23 14 1
Fax : (39) 02 39 23 14 39

USA

Astro / Polymetron
Associated with Hach Co.
P.O. Box 389
Loveland, Colorado
USA 80539-0389
Tel. : (1) 800 227 2648
Fax : (1) 970 461 3920

www.polymetron.com

This publication is not intended to form the basis of a contract and the company reserves the right to amend the design and specifications of the instruments without notice.

Distributor

TE 8346=A=100 - Rev. D - FR. 50622048726



Specifications

- Sample temperature: -10 to + 80°C (14–176°F)
- Ambient temperature: -10 to + 55 °C (14–131°F)
- Sample pressure: Atmospheric
- Volume of the reference-electrolyte reservoir: 0.5 l
- Permissible pressure for electrolyte reservoir: 5 bar max.
- Immersion depths: 500, 1000 and 1500 mm
- Protective hood: IP 54

Materials :

- Probe body: Polypropylene
- Electrolyte reservoir: Grilamide TR 55
- Protective hood: Plexiglass, blue
- Electrode tubing: Polyurethane
- Electrolyte-tubing nipples: Polycetal
- Drive shaft: Stainless steel

Standard accessories

- 1 Instruction Manual in German, English or French (please specify)
- Reference electrolyte KCl, 500-ml bottle

Spares

- Diaphragm assembly for 8346.-E.
Item number 363 700,74106, consisting of:
 - 3 diaphragms • 3 hex nuts PP • 6 seal
- Cleaning bar assembly for 8346.
Item number 363 700,83462, consisting of:
 - 1 sintered ceramic bar • 1 hud • 1 screw

Accessories

Item	Model	Item No.	Drawing No.
Transformer, Primary: 220 V, 50/60 Hz - Secondary: 24 V	8346.50	08346=A=5220	4
Transformer, Primary: 110 V, 50/60 Hz - Secondary: 24 V	8346.50	08346=A=5110	4
Cable, shielded, 6 conductors, with temperature compensation	2666	370=506=025	
Reference electrolyte KCl, 1000 ml		363 140,01000	