

Hydrastat Model 9186



data sheet

Applications

- Monitoring of hydrazine and other oxygen scavengers (please consult us for the complete list) in power plant boiler feedwater

Features

- 3-electrode controlled potential amperometry to ensure a very low signal drift
- High sensitivity and fast response time
- Low reagent consumption
- No moving parts
- Self cleaning working electrode
- User-friendly menu-based programming
- Two smart analog outputs

polymetron

Headquarters:
6, route de Compis
C.P. 212
CH1222 Vérenaz, Geneva
Switzerland

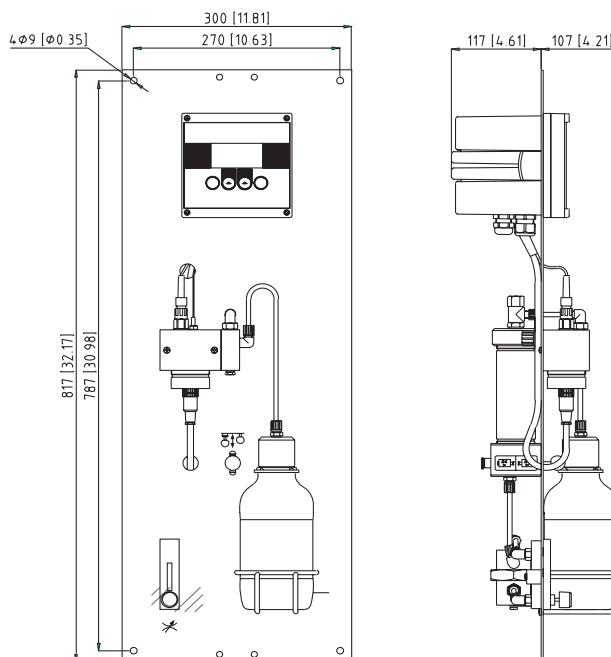
Tel. +41 22 855 91 00
Fax +41 22 855 91 99
salesinfo@hachultra.com



www.hachultra.com

This publication is not intended to form the basis of a contract and the company reserves the right to amend the design and specifications of the instruments without notice.

Distributor



Specifications

Sample	Insolubles Temperature Pressure, flow rate	Free of undissolved matter +5...+45°C, +41...113°F 0.5 ... 6bar (7.2 ... 87psi) / 12 l/h
Connections	Sample line Drain Mains Mounting/Weight	Swagelok for 4 x 6 mm stainless steel tubing Nipple for 6 x 8 mm PE hose 90...265VAC, 50/60Hz, ~25VA Panel mounted/~20kg (44lbs)
Analysis	Measuring range Repeatability Drift Sensitivity Response time (t90%) Ambient temperature Sample conditioning Calibration	0...500ppb of dissolved N2H4; programmable 0 ... 100ppb of carbonylhydrazide; programmable < ± 2 % of the measured value or < ± 1 ppb, whichever is greater Negligible < 0.2 ppb < 60 seconds 0...+45°C, +32...+113°F Diisopropylamine, ammonia or diethylamine a) Zero : electrically, with hydrazine-free water or with optional zero cartridge b) Slope : using a laboratory reference value
Transmitter	Enclosure protection EEC Standards Analog outputs Status information Relay outputs Temp. compensation	IP65 / NEMA 4 (NEMA 4X optional) EN50081, EN50082 (EMC) and IEC61010 (low voltage) 2 x 0/4... 20 mA isolated from input signal, 800 Ohms load max. for the measurement (linear or dual range) and/or for the temperature (linear) 4/20 mA outputs programmable to a value between 0 and 21mA during calibration or when system alarm is activated. 4 dry contacts NO/NC (250VAC, 3A / 30VDC, 0.5A max. ohmic load) for : - high/low limits (programmable delay and hysteresis), - system alarm with manual or automatic reset - timer (programmable frequency and sequence) Automatic within the range 5 - 45°C (41 - 113°F)
Options	RS 485 Zero cartridge Profibus DP	300..9600 bauds, 32 stations max., JBUS/MODBUS To perform chemical zero calibrations. 9.6 Kbit/s to 12 Mbit/s, 127 stations max. (with repeater)
Materials	Measuring cell	Platinum anode/Stainless-steel cathode Ag-AgCl reference/Acrylic cell
Maintenance	Monthly	Replenish reagent, calibrate

